

808 nm High-Power Laser Diode (AL0808T1000)

Features:

Output power: 1.0w(CW)
 Variety of stripe width
 Efficient quantum well structure

Application:

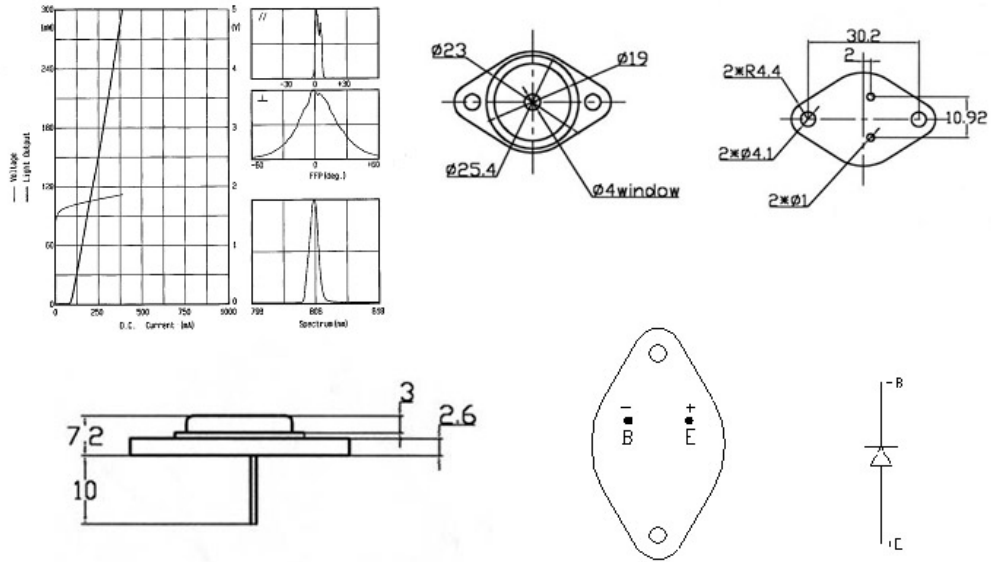
Solid-state laser pumping
 Medical usage
 Beacons and Illumination
 Free-space communication
 Infrared light sources



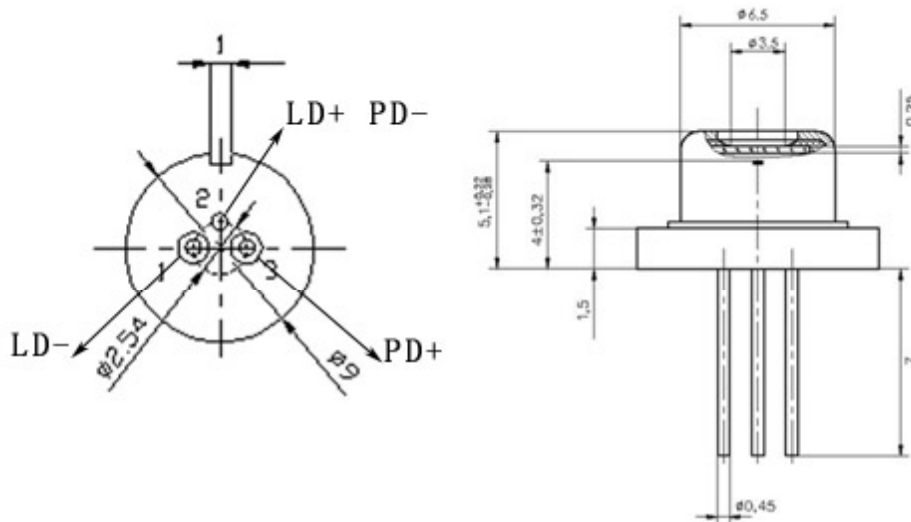
Specifications:

Parameter	Value
	AL808T1000
CW output power (mW)	1000
Peak wavelength (nm)	808 ± 10
Spectral width (nm)	≤ 5
Threshold current (A)	≤ 300
Operating current (A)	≤ 1400
Operating voltage (V)	≤ 2.2
Slope efficiency (W/A)	≥ 1.0
Beam divergence $\theta_{\perp} \times \theta_{\parallel}$ (deg.)	12/40
Wavelength temperature coefficient (nm/°C)	0.3
Emitting area (μ m)	100 × 1
Serial resistance (Ω)	≤ 0.5
Lifetime(h)	10000
Package	TO-5, TO-3, C-Mount

TO-3 Package(Unit: mm)

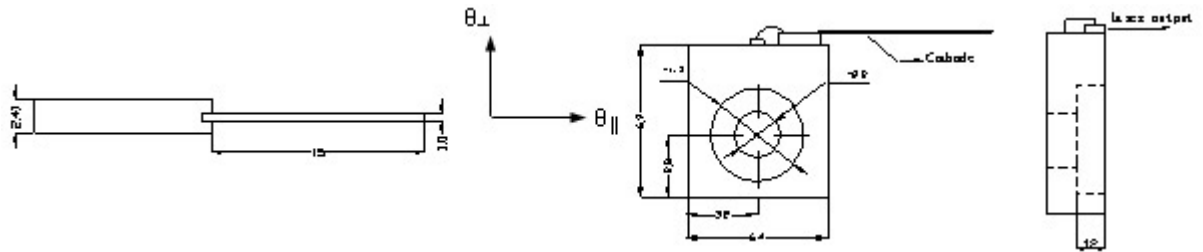


TO-5 Package: (Unit: mm)



-Mount heat sink: (Unit : mm, Heat sink(+))

C-Mount 1 (C)



C-Mount 2 (S)

